

COMPRESSOR PUMP
MODEL: K30-PUMP

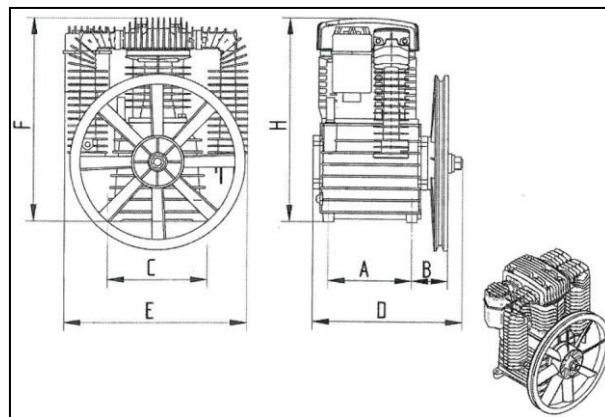
CYLINDERS	2
STAGE	2
MAX PRESSURE (BAR)	11*
MOTOR (KW)	5.5
FLYWHEEL (MM)	400
BELT SECTION	1B

DIMENSIONS

A	190 mm
B	135 mm
C	228 mm
D	360 mm
E	415 mm
F (FROM BOTTOM OF FLY WHEEL)	520 mm
H	475 mm
WEIGHT	38.0 KGS

*HIGHER MAXIMUM PRESSURE AVAILABLE. PLEASE CONTACT PILOT AIR

***NOTE – IMAGE IS INDICATIVE ONLY**



FEATURES

- Made in Italy
- Designed for industrial use
- Cast iron cylinder barrels & stainless steel valves
- Alloy heads for improved cooling
- Balanced crankshaft for smoother, quieter operation & longer life
- Larger diameter flywheels designed to draw cool air over compressor pump
- High quality inlet filter